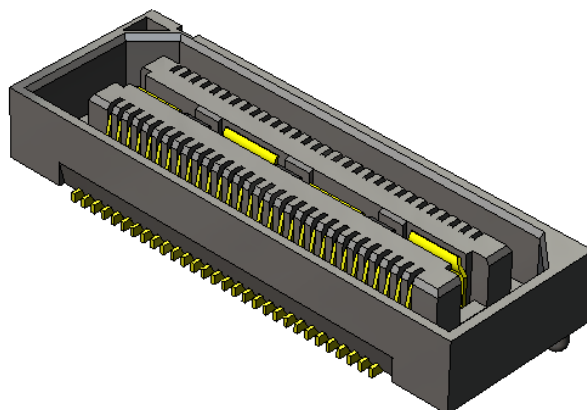
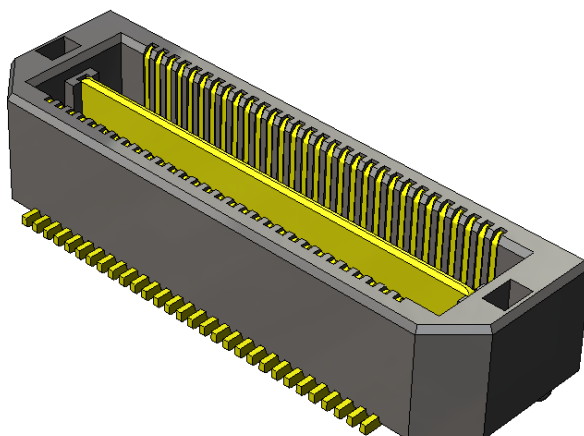


Series: QSH / QTH 0,50 mm (.0197") Q Strip[®] High Speed Ground Plane Socket / Terminal Strips

QSH Series – Socket, Vertical Orientation



QTH Series – Terminal, Vertical Orientation



Other configurations available for:

- Co-planar and perpendicular board-to-board applications
- Rugged features / end options
- Packaging options

See www.samtec.com for more information.

Series: QSH / QTH 0,50 mm (.0197") Q Strip[®] High Speed Ground Plane Socket / Terminal Strips

1.0 SCOPE

1.1 This specification covers performance, testing and quality requirements for Samtec QSH/QTH Series 0,50 mm (.0197") Q Strip[®] High Speed Ground Plane Socket/Terminal Strip connector system. These socket and terminal strips are available in Vertical, Edge Mount and Right Angle configurations for parallel, perpendicular and coplanar board-to-board applications. All information contained in this specification is for a 5 mm mated height vertical configuration unless otherwise noted.

2.0 DETAILED INFORMATION

2.1 Product prints, footprints, catalog pages, test reports and other specific, detailed information can be found at www.samtec.com?QSH and www.samtec.com?QTH.

3.0 TESTING

3.1 Current Rating: Signal: 2A (One Pin Powered Per Row)

3.2 Voltage Rating: 175 VAC

3.3 Operating Temperature Range: -55°C to +125°C

3.4 Operating Humidity Range: 90% to 95% (Per EIA-364-31)

3.5 Electrical:

| ITEM | TEST CONDITION | REQUIREMENT | STATUS |
|---------------------------|--|--|--------|
| Withstanding Voltage | EIA-364-20 (No Flashover, Sparkover, or Breakdown) | 525 VAC | Pass |
| Insulation Resistance | EIA-364-21 (1000 M Ω minimum) | 5,000 M Ω | Pass |
| Contact Resistance (LLCR) | EIA-364-23 | Δ 15 m Ω maximum (Samtec defined)/ No damage | Pass |

3.6 Mechanical:

| ITEM | TEST CONDITION | REQUIREMENT | STATUS |
|------------------|---|---|--------|
| Durability | EIA-364-09C | 100 cycles (10 μ " Au) | Pass |
| Random Vibration | EIA-364-28 Condition V, Letter B 7.56 G 'RMS', 50 to 2000 Hz, 2 hours per axis, 3 axis total, PSD 0.04 | Visual Inspection: No Damage LLCR: Δ 15 m Ω maximum Event Detection: No interruption > 50 Nanoseconds | Pass |
| Mechanical Shock | EIA-364-27 100 G, 6 milliseconds, sawtooth wave, 11.3 fps, 3 shocks/direction, 3 axis (18 total shocks) | Visual Inspection: No Damage LLCR: Δ 15 m Ω maximum Event Detection: No interruption > 50 Nanoseconds | Pass |
| Normal Force | EIA-364-04 | 30 grams minimum for gold interface | Pass |

Series: QSH / QTH 0,50 mm (.0197") Q Strip® High Speed Ground Plane Socket / Terminal Strips

3.7 Environmental:

| ITEM | TEST CONDITION | REQUIREMENT | STATUS |
|------------------------------|--|--|--------|
| Thermal Shock | EIA-364-32 Thermal Cycles: 100 (30 minute dwell) Hot Temp: 85°C Cold Temp: -55°C Hot/Cold Transition: Immediate | Visual Inspection: No Damage LLCR: Δ 15 m Ω DWV: 525 VAC IR: >50,000 M Ω | Pass |
| Thermal Aging (Temp Life) | EIA-364-17 Test Condition 4 @ 105°C Condition B for 250 hours | Visual Inspection: No Damage LLCR: Δ 15 m Ω DWV: 525 VAC IR: >50,000 M Ω | Pass |
| Cyclic Humidity | EIA-364-31 Test Temp: 25°C to 65°C Relative Humidity: 90 to 95% Test Duration: 240 hours | Visual Inspection: No Damage LLCR: Δ 15 m Ω DWV: 525 VAC IR: >50,000 M Ω | Pass |
| Gas Tight | EIA-364-36 Gas Exposure: Nitric Acid Vapor Duration: 60 min. Drying Temp.: 50°C +/- 3°C Measurements: Within 1 hour of Exposure | LLCR: Δ 15 m Ω | Pass |

Series: QSH / QTH 0,50 mm (.0197") Q Strip® High Speed Ground Plane Socket / Terminal Strips

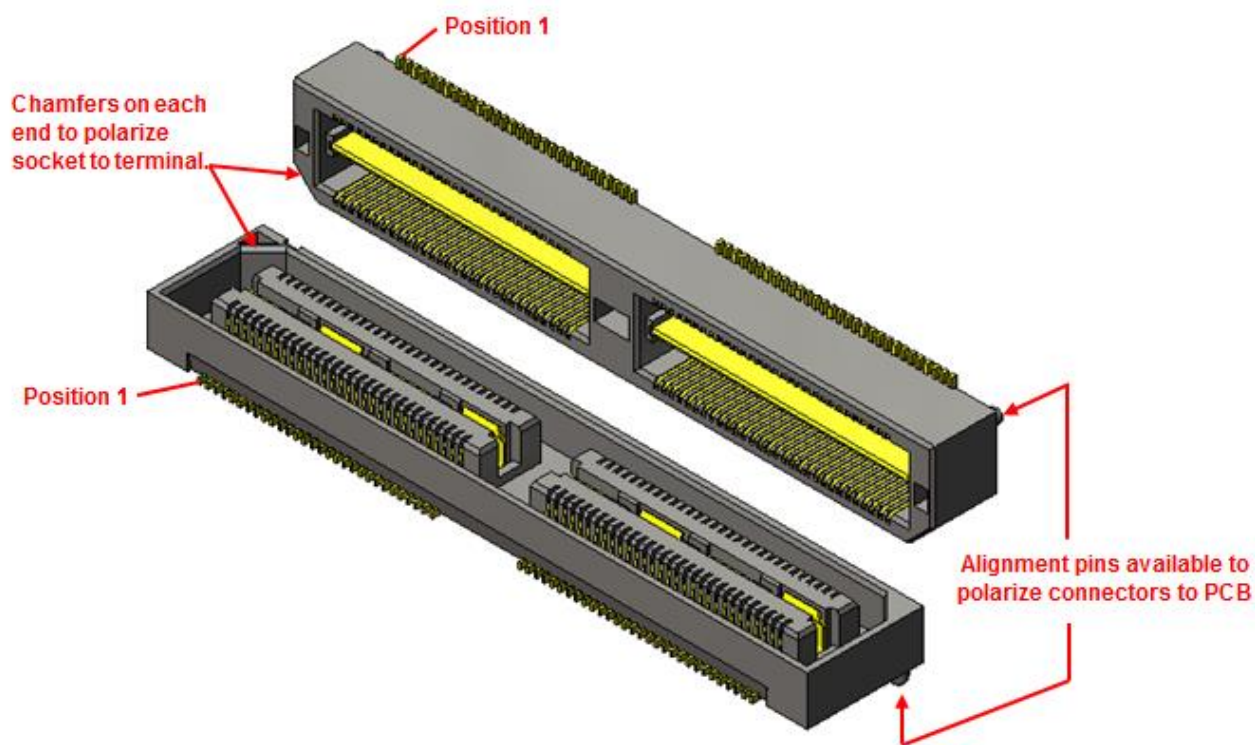
4.0 MATED SYSTEM

4.1 Mated Views:

Mated view information can be found at link below:

<http://cloud.samtec.com/Prints/QXH%20MATED%20DOCUMENT-MKT.PDF>

5.0 POLARIZING FEATURES



6.0 HIGH SPEED PERFORMANCE

6.1 Based on a 3 dB insertion loss

| Stack Height | Single-Ended Signaling | Differential Pair Signaling |
|--------------|------------------------|-----------------------------|
| 5mm | 9.5 GHz / 19 Gbps | 10.5 GHz / 21 Gbps |

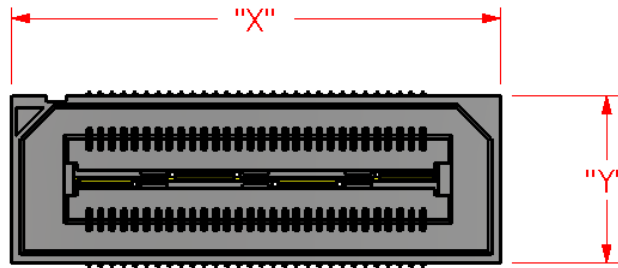
6.2 System Impedance: 50 ohm for single-ended and 100 ohm for differential pair

Series: QSH / QTH 0,50 mm (.0197") Q Strip® High Speed Ground Plane Socket / Terminal Strips

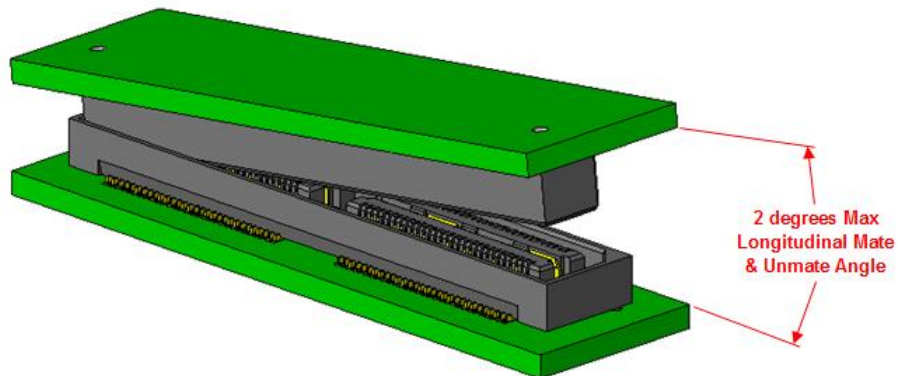
7.0 PROCESSING RECOMMENDATIONS

7.1 Mating Alignment Requirements:

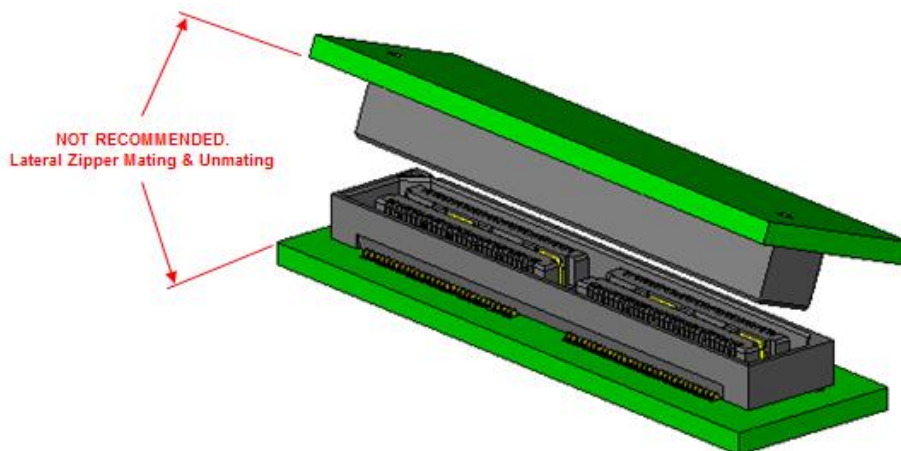
7.1.1 The parts can be rigidly misaligned by no more than .004" (0,10 mm) in the X- and .004" (0,10 mm) in the Y-direction to ensure a good mate.



7.2 Mating Angle Requirements: The connector can be zippered in the longitudinal direction only.



7.2.1



7.2.2

Series: QSH / QTH 0,50 mm (.0197") Q Strip® High Speed Ground Plane Socket / Terminal Strips

7.3 Due to variances in equipment, solder pastes and applications (board design, component density, etc.), Samtec does not specify a recommended reflow profile for our connectors. The processing parameters provided by the solder paste manufacturer should be employed and can usually be found on their website.

All of Samtec's surface mount components are lead free reflow compatible and compliant with the profile parameters detailed in IPC/JEDEC J-STD-020 which requires that components be capable of withstanding a peak temperature of 260°C as well as 30 seconds above 255°C.

Due to their weight, QTH-120-07, -08 components cannot be run through the reflow oven while inverted.

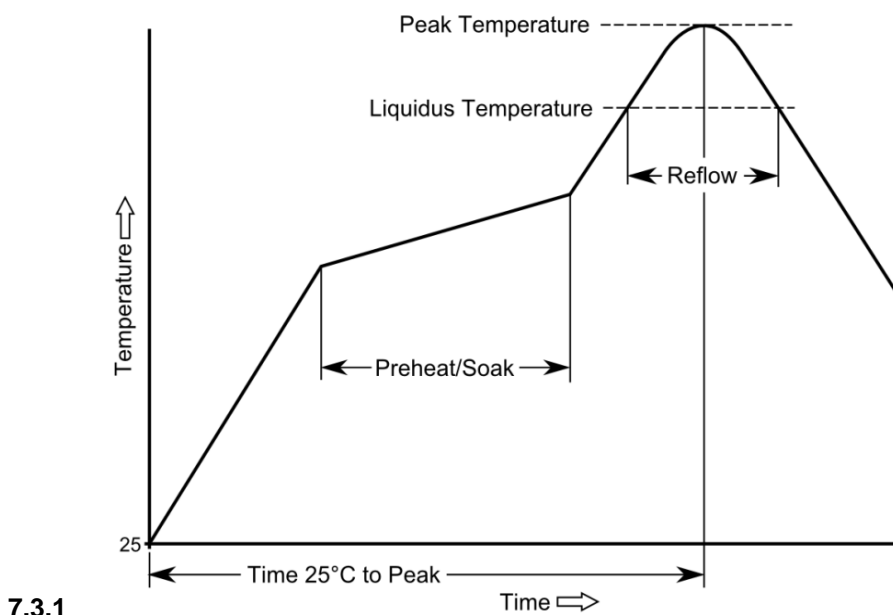
Samtec Recommended Temperature Profile Ranges (SMT)

Sn-Pb Eutectic Assembly

| Preheat/Soak (100°C-150°C) | Max Ramp Up Rate | Reflow Time (above 183°C) | Peak Temp | Time within 5°C of 235°C | Max Ramp Down Rate | Time 25°C to Peak Temp |
|----------------------------|------------------|---------------------------|-----------|--------------------------|--------------------|------------------------|
| 60-120 sec. | 3°C/s max. | 40-150 sec. | 235°C | 20 sec. max. | 6°C/s max. | 6 min. max. |

Pb-Free Assembly

| Preheat/Soak (150°C-200°C) | Max Ramp Up Rate | Reflow Time (above 217°C) | Peak Temp | Time within 5°C of 260°C | Max Ramp Down Rate | Time 25°C to Peak Temp |
|----------------------------|------------------|---------------------------|-----------|--------------------------|--------------------|------------------------|
| 60-120 sec. | 3°C/s max. | 40-150 sec. | 260°C | 30 sec. max. | 6°C/s max. | 8 min. max. |



These guidelines should not be considered design requirements for all applications. Samtec recommends testing interconnects on your boards in your process to guarantee optimum results.

Series: [QSH](#) / [QTH](#) 0,50 mm (.0197") Q Strip® High Speed Ground Plane Socket / Terminal Strips

7.4 Maximum Reflow Passes: The parts can withstand three reflow passes at a maximum component temperature of 260°C.

7.5 Stencil Thickness: The recommended stencil thickness is .006" (0,15 mm).

7.6 Placement: Machine placement of the parts is recommended.

7.7 Reflow Environment: Samtec recommends the use of a low level oxygen environment (typically achieved through Nitrogen gas infusion) in the reflow process to improve solderability.

7.8 Rework Guidelines: Samtec recommends following these rework guidelines as needed: [QXX/BXX Connector Rework Methods](#)

7.9 Hardware: Board-to-board standoffs are recommended to provide a robust mechanical connection. Samtec offers two different types:

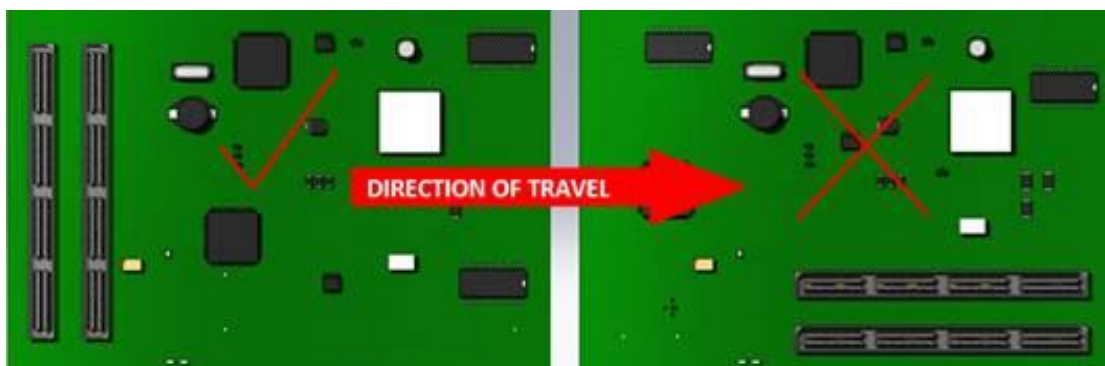
7.9.1 Traditional Standoffs (SO) – Rigid design to statically support board-to-board applications. See options here: [SO - Board Stacking Standoff](#)

7.9.2 Jack Screw Standoffs (JSO) – Serve same function as traditional standoffs but unique, nested construction facilitates the mating and unmating process. This is especially helpful for multiple connector applications where the mating and unmating forces increase with the number of connectors used. See options here: [JSO - Jack Screw Standoffs](#)

7.10 Cleaning: Samtec, Inc. has verified that our connectors may be cleaned in accordance with the solvents and conditions designated in the EIA-364-11 standard.

8.0 DIRECTION OF BOARD TRAVEL THROUGH REFLOW OVEN

8.1 To minimize the potential for connector warpage, Samtec recommends the layout configuration shown below left. This allows the connectors to heat more evenly.



Series: **QSH / QTH** 0,50 mm (.0197") Q Strip[®] High Speed Ground Plane Socket / Terminal Strips

9.0 ADDITIONAL RESOURCES

- 9.1 For additional mechanical testing or product information, contact our Customer Engineering Support Group at CES@samtec.com
- 9.2 For additional information on high speed performance testing, contact our Signal Integrity Group at SIG@samtec.com
- 9.3 For additional processing information, contact our Interconnect Processing Group at IPG@samtec.com.
- 9.4 For RoHS, REACH or other environmental compliance information, contact our Product Environmental Compliance Group at PEC@samtec.com

USE OF PRODUCT SPECIFICATION SHEET

This Product Specification Sheet ("PSS") is a brief summary of information related to the Product identified. As a summary, it should only be used for the limited purpose of considering the purchase/use of Product. For specific, detailed information, including but not limited to testing and Product footprint, refer to Section 2.0 of this document and the links there provided to test reports and prints. This PSS is the property of Samtec, Inc. ("Samtec") and contains proprietary information of Samtec, our various licensors, or both. Samtec does not grant express or implied rights or license under any patent, copyright, trademark or other proprietary rights and the use of the PSS for building, reverse engineering or replication is strictly prohibited. By using the PSS, the user agrees to not infringe, directly or indirectly, upon any intellectual property rights of Samtec and acknowledges that Samtec, our various licensors, or both own all intellectual property therein. The PSS is presented "AS IS". While Samtec makes every effort to present excellent information, the PSS is only provided as a guideline and does not, therefore, warrant it is without error or defect or that the PSS contains all necessary and/or relevant information about the Product. The user agrees that all access and use of the PSS is at its own risk. **NO WARRANTIES EXPRESSED OR IMPLIED, INCLUDING ANY WARRANTY OF MERCHANTABILITY, FITNESS FOR A PARTICULAR PURPOSE OR OF ANY KIND WHATSOEVER ARE PROVIDED.**



Series: QSH / QTH 0,50 mm (.0197") Q Strip[®] High Speed Ground Plane Socket / Terminal Strips